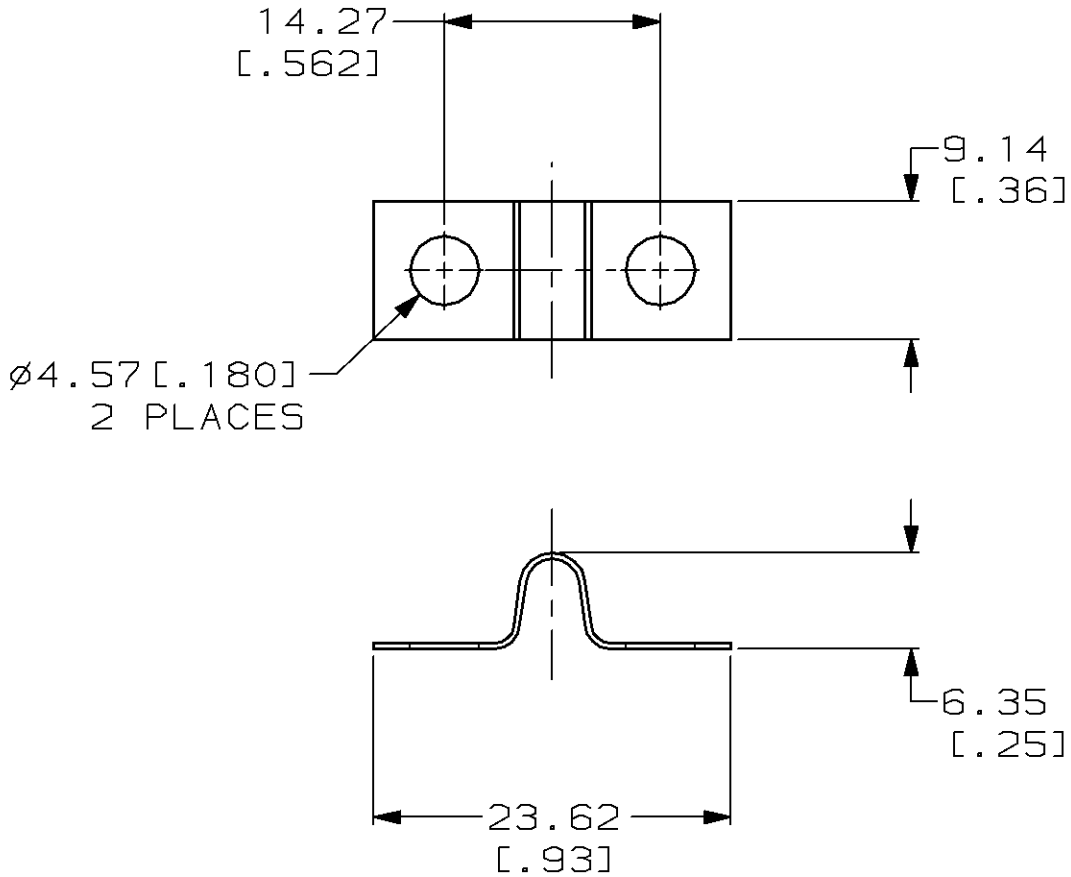


LOC	DIST	REVISIONS					
EY	25	P	LTR	DESCRIPTION	DATE	DWN	APVD
		0		RLSD; NPR C96-342	03FEB97	GG	EH



MATERIAL: 0.38 [.015] THICK 70-30
BRASS Rb 50-65.



AS SHOWN	100 PER PACKAGE	604591-2
NICKLE PLATE	BULK	604591-1
FINISH	PACKAGING	PART NO.

RELEASED FOR PUBLICATION

THIS DRAWING IS UNPUBLISHED.

ALL RIGHTS RESERVED. BY AMP INCORPORATED. COPYRIGHT 19

DIMENSIONS: mm [INCHES]	DWN	G. GARRETT	03FEB97	MATERIAL		FINISH	-			
	CHK	G. GARRETT	03FEB97	AMP Incorporated Harrisburg, PA 17105-3608						
TOLERANCES UNLESS OTHERWISE SPECIFIED:	APVD	E. HRYN	03FEB97					NAME	TAB, JUMPER, 8	
	0 PLC	±-	PRODUCT SPEC	SIZE	A4	CAGE CODE	00779	DRAWING NO	C-604591	
1 PLC	±-	APPLICATION SPEC	WEIGHT	CUSTOMER DRAWING			SCALE	2:1	SHEET 1 OF 1	REV 0
2 PLC	±0.51 [.02]									
3 PLC	±0.13 [.005]									
4 PLC	±-									
ANGLES	±-									